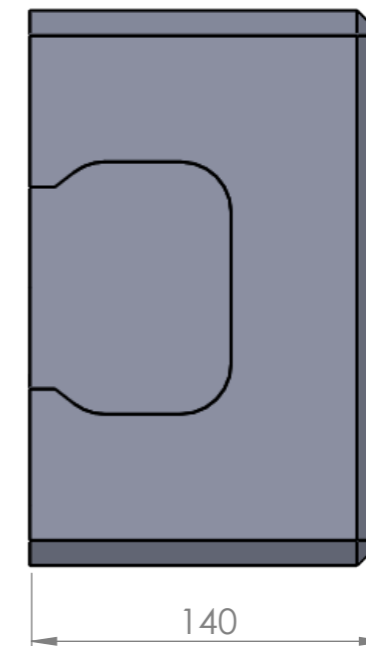
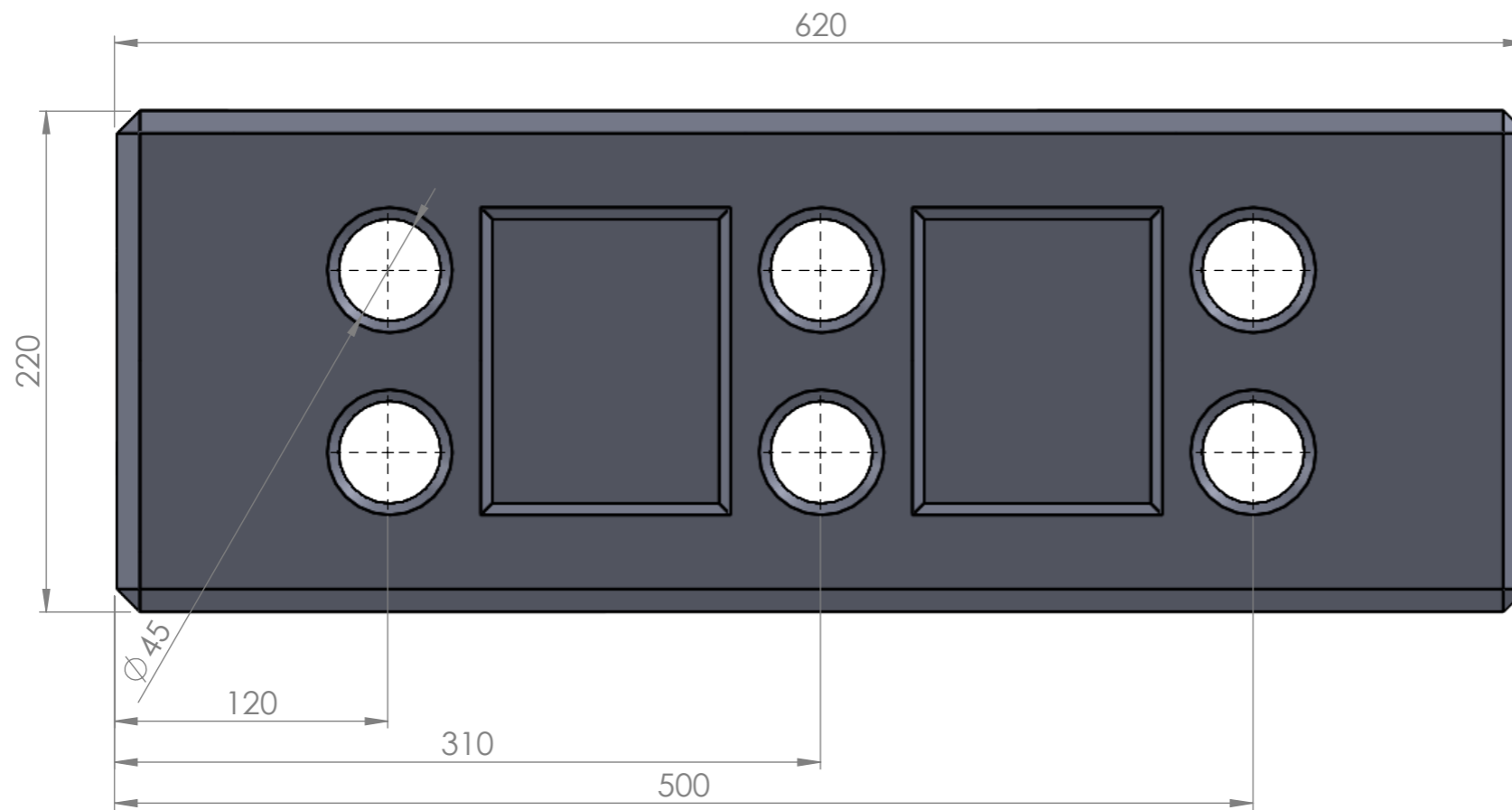
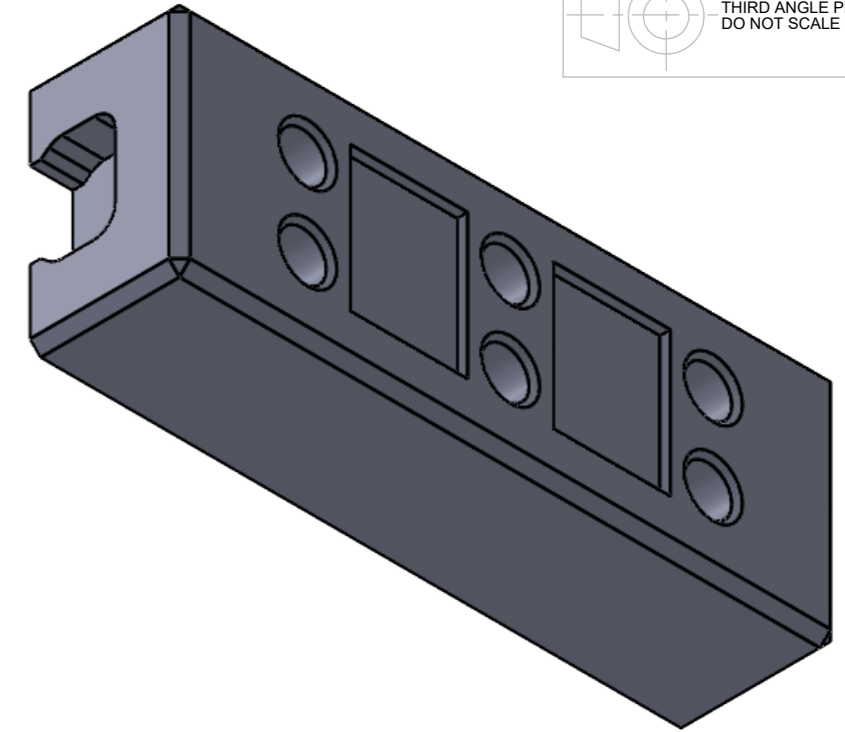
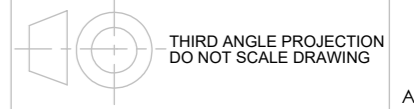


ALL DIMENSIONS IN MILLIMETERS



TITLE:		Betonstein 35 kg				
	NAME	SGN	DATE	WEIGHT:		
DRAWN	BINCZAK		12/03/24	34 kg		
CHK'D						
FINISH:				TOLERANCE:	CODE:	Revision
				±5%	10005.0	
SCALE: 1:3					SHEET 1 OF 1	

SCALE: 1:3

SHEET 1 OF 1

A3